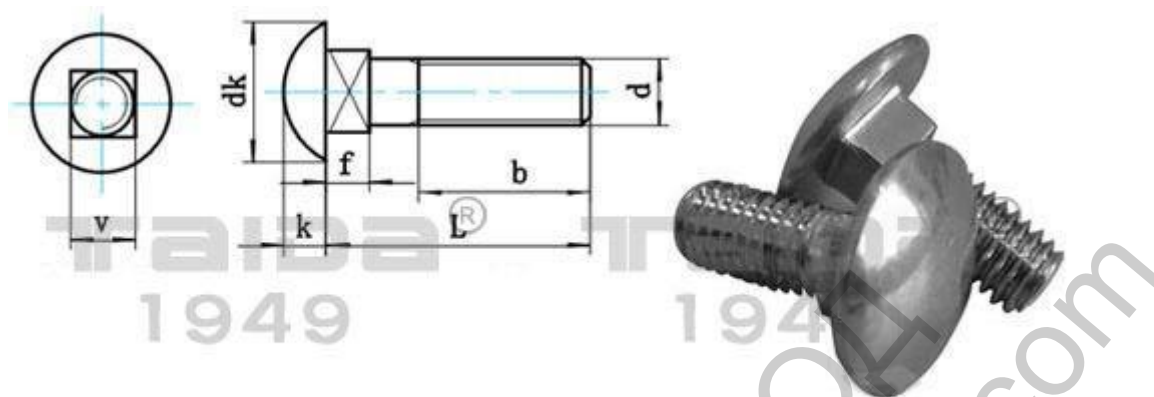




Болт коларски



| d | M5 | M6 | M8 | M10 | M12 | M16 | M20 | |
|----|----------|-------|-------|-------|-------|-------|------|-------|
| P | 0.8 | 1 | 1.25 | 1.5 | 1.75 | 2 | 2.5 | |
| dk | max | 13.55 | 16.55 | 20.65 | 24.65 | 30.65 | 38.8 | 46.8 |
| | min | 12.45 | 15.45 | 19.35 | 23.35 | 29.35 | 37.2 | 45.2 |
| v | max | 5.48 | 6.48 | 8.58 | 10.58 | 12.7 | 16.7 | 20.84 |
| | min | 4.52 | 5.52 | 7.42 | 9.42 | 11.3 | 15.3 | 19.16 |
| f | max | 4.1 | 4.6 | 5.6 | 6.6 | 8.75 | 12.9 | 15.9 |
| | min | 2.9 | 3.4 | 4.4 | 5.4 | 7.25 | 11.1 | 14.1 |
| k | max | 3.3 | 3.88 | 4.88 | 5.38 | 6.95 | 8.95 | 11.05 |
| | min | 2.7 | 3.12 | 4.12 | 4.62 | 6.05 | 8.05 | 9.95 |
| L | 16 - 200 | | | | | | | |

Ташев-Галвинг ООД
www.tashev-galving.com